



STAINLESS NEEDLE GLOBE

6000 PSI W.O.G.
 THREADED ENDS - F X F NPT

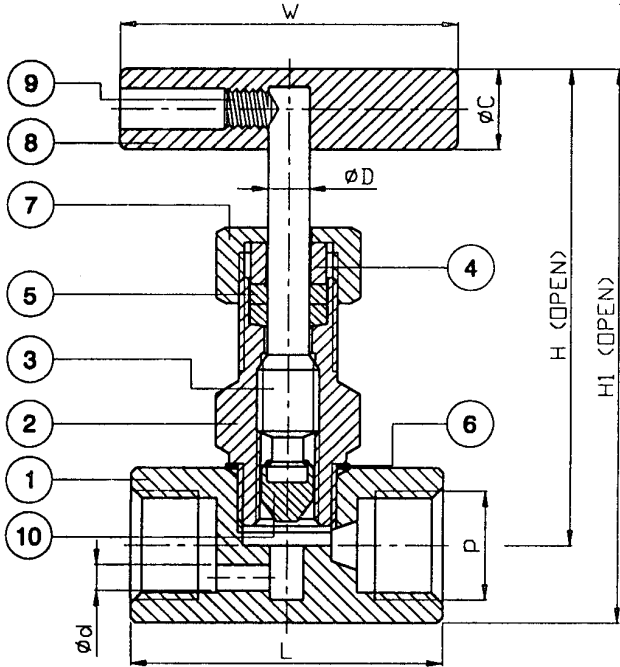
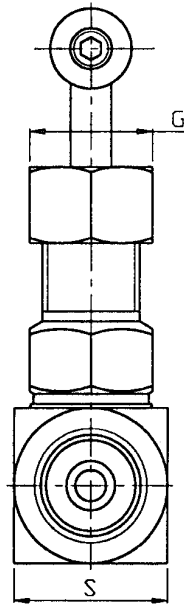
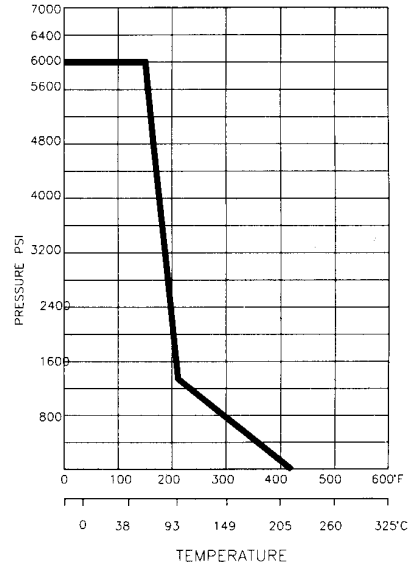


FIGURE NO. 9066



No.	Part Name	Material
1.	Body	AISI 316
2.	Bonnet	AISI 316
3.	Stem	AISI 316
4.	Gland Ring	AISI 316
5.	Packing	PTFE
6.	Gasket	PTFE
7.	Gland Nut	AISI 316
8.	Handle	AISI 410
9.	Set Screw	Alloy Steel
10.	Disc	AISI 316

PRESSURE TEMPERATURE RATING



Size	L	H	H1	W	d	D	S	C	G	P	Cv Factor Approx.	Weight lbs.
1/8"	1.77	2.76	3.23	2.36	0.12	0.28	0.87	0.51	0.83	1/8"	0.7	0.60
1/4"	1.77	2.76	3.23	2.36	0.12	0.28	0.87	0.51	0.83	1/4"	0.8	0.60
3/8"	1.97	2.83	3.36	2.36	0.12	0.28	0.98	0.51	0.83	3/8"	0.9	0.71
1/2"	2.36	3.39	4.19	2.56	0.16	0.31	1.18	0.63	0.94	1/2"	1.2	1.17
3/4"	2.56	3.62	4.37	2.56	0.20	0.31	1.38	0.63	0.94	3/4"	1.3	1.45
1"	3.27	4.41	5.31	3.15	0.28	0.39	1.81	0.75	1.18	1"	1.8	3.09



VALVES

STAINLESS NEEDLE GLOBE

6000 PSI W.O.G.
 THREADED ENDS - M X F NPT

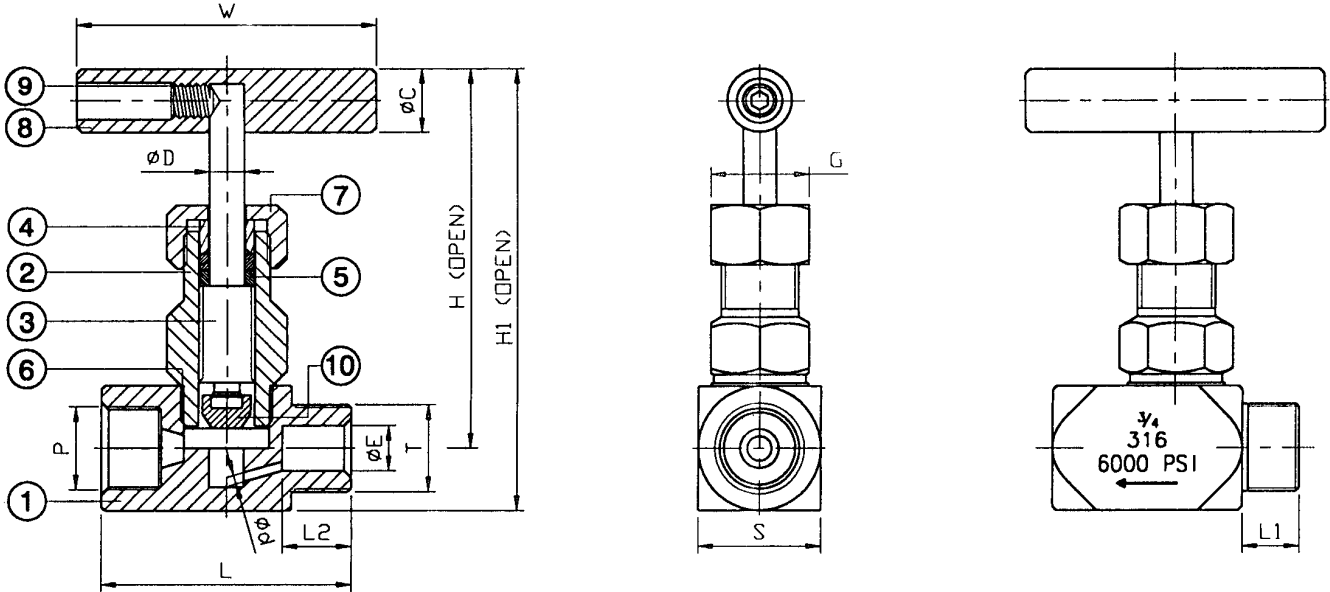


FIGURE NO. 9066

No.	Part Name	Material
1.	Body	AISI 316
2.	Bonnet	AISI 316
3.	Stem	AISI 316
4.	Gland Ring	AISI 316
5.	Packing	PTFE
6.	Gasket	PTFE
7.	Gland Nut	AISI 316
8.	Handle	AISI 410
9.	Set Screw	Alloy Steel
10.	Disc	AISI 316

Size	L	L1	L2	H	H1	W	d	D	S	C	E	G	P	T	Cv Factor Approx.	Weight lbs.
1/8"	2.05	0.59	0.59	2.76	3.23	2.36	0.12	0.28	0.87	0.51	0.12	0.83	1/8"	1/8"	0.7	0.57
1/4"	2.05	0.59	0.59	2.76	3.23	2.36	0.12	0.28	0.87	0.51	0.12	0.83	1/4"	1/4"	0.8	0.57
3/8"	2.24	0.59	0.67	2.83	3.36	2.36	0.12	0.28	0.98	0.51	0.12	0.83	3/8"	3/8"	0.9	0.71
1/2"	2.80	0.79	0.79	3.39	4.19	2.56	0.16	0.31	1.18	0.63	0.16	0.94	1/2"	1/2"	1.2	1.21
3/4"	2.99	0.79	0.87	3.62	4.37	2.56	0.20	0.31	1.38	0.63	0.59	0.94	3/4"	3/4"	1.3	1.50
1"	3.82	1.02	1.00	4.41	5.31	3.15	0.28	0.39	1.81	0.75	0.79	1.18	1"	1"	1.8	3.20

WARREN VALVE CORPORATION

Headquarters and National Warehouse

Houston, Texas

Local (713) 672-9416

TOLL FREE (800) 231-6680

Fax (713) 672-8549

Regional Warehouses

Charlotte, North Carolina

Local (704) 521-4478

TOLL FREE (800) 331-3672

Fax (704) 521-8243

Salt Lake City, Utah

Local (801) 975-1919

TOLL FREE (800) 801-2115

Fax (801) 975-9111

Website: www.warrenalloy.com

E-Mail: info@warrenalloy.com



The information contained herein is not intended for specific construction or application purposes. Dimensions, specifications, or materials are subject to change without notice and without liability or obligation to furnish or install such changes or modifications on products previously or subsequently sold.