

Warren® VALVES

Series W36

**Seal Welded
HIGH Pressure**

Ball Valves

1/4" - 2"

ASME Class 1500

FEATURES

- SEAL WELDED CONSTRUCTION
- Full Port and Reduced Port Available
- Available in WCB Carbon Steel with 316SS Trim, or CF8M/316 Stainless
- 3600 WOG Rating on CF8M, 3705 WOG on WCB
- Fully Compliant with ASME B16.34 Class 1500
- NPT Ends Standard with Delrin Seats & Viton Seals
- Socket Weld Ends Standard with PEEK Seats & Viton Seals
- NACE MR-01-75 Compliant
- API 607 Fourth Edition Fire Safe
- Fully Compliant with API 608
- Standard ISO Actuator Mounting Pads on all sizes
- Standard Locking Stainless Steel Handles
- "Dead-Man" Spring Return Stainless Steel Handle Available 1/4"-1" Sizes
- The Ultimate Valve for Safe High Pressure Service



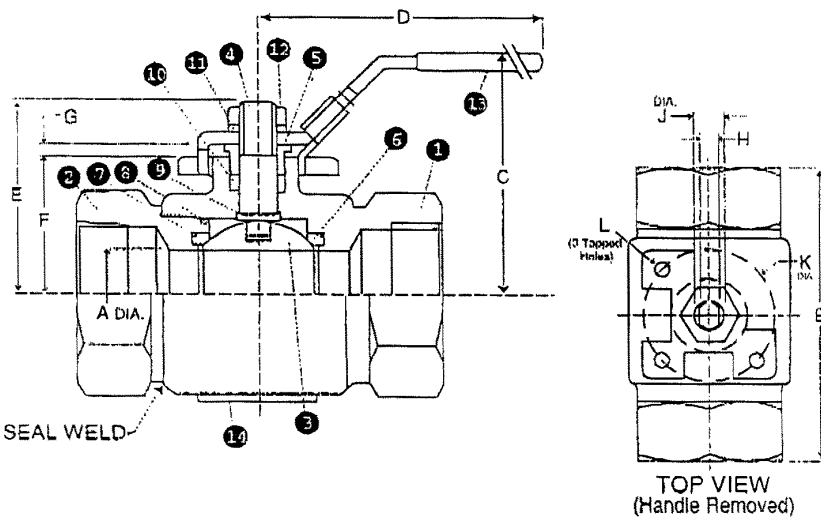
ASME B16.34 Compliant!

RATINGS

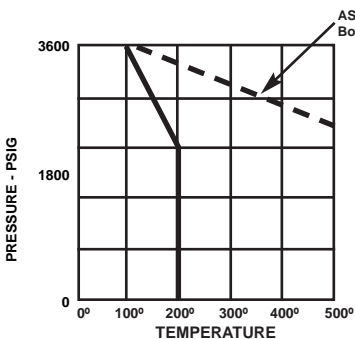
3600 PSIG @ 100F WATER, OIL, GAS (CF8M)
3705 PSIG @ 100F WATER, OIL, GAS (WCB)
NO STEAM SERVICE RATING (DELTRIN SEATS)

MATERIALS OF CONSTRUCTION

PART	DESCRIPTION	STANDARD MATERIAL
1	BODY	CF8M OR WCB
2	TAILPIECE	CF8M OR WCB
3	BALL	ASTM A276 Gr.316 SS
4	STEM	ASTM A276 Gr.316 SS (1/4"-1") 174-PH (1-1/2"-2")
5	PACKING NUT	ASTM A276 Gr.316 SS
6	SEATS (2)	Delrin 100AF (NPT ends) PEEK (Socket Weld ends)
7	SEAT SEAL (2)	VITON
8	TAILPIECE SEAL	GRAPHITE
9	THRUST WASHER	PTFE
10	STEM PACKING	GRAPHITE
11	LOCK WASHER	304 SS
12	HANDLE ASSY	304 SS
13	HANDLE NUT	304 SS
14	NAME PLATE	300 SS



**DIMENSIONS, WEIGHTS, CV FACTORS &
MAXIMUM OPERATING TORQUE**



SIZE	A	B	C	D	E	F	G	H	J	K	L	ISO	WEIGHT	Cv	MAX TORQUE	MAX TORQUE
										DIA	(3 tapped holes)	PATTERN	LBS.		DELTRIN SEATS	PEEK SEATS
1/4" FP	0.25	3.00	2.30	5.00	1.62	0.89	0.33	0.20	0.31	1.42	1/4"-20 UNC	F03	1.60	10	75 in-lb	100 in-lb
1/2" FP	0.50	4.00	2.30	5.00	1.62	0.89	0.33	0.20	0.31	1.42	1/4"-20 UNC	F03	1.60	16	75 in-lb	140 in-lb
3/4" FP	0.75	4.30	2.90	5.80	2.21	1.29	0.41	0.28	0.43	1.65	1/4"-20 UNC	F04	2.70	32	120 in-lb	270 in-lb
1" FP	0.75	4.30	2.90	5.80	2.21	1.29	0.41	0.28	0.43	1.65	1/4"-20 UNC	F04	3.00	44	200 in-lb	270 in-lb
1" RP	1.00	4.80	3.50	7.40	2.79	1.65	0.43	0.35	0.56	1.97	1/4"-20 UNC	F05	6.20	62	400 in-lb	700 in-lb
1-1/2" FP	1.50	5.30	4.50	14.0	3.87	2.51	0.49	0.39	0.62	2.76	5/16"-18 UNC	F07	11.3	140	750 in-lb	1200 in-lb
2" RP	1.50	6.30	4.50	14.0	3.87	2.51	0.49	0.39	0.62	2.76	5/16"-18 UNC	F07	11.7	120	750 in-lb	1200 in-lb