

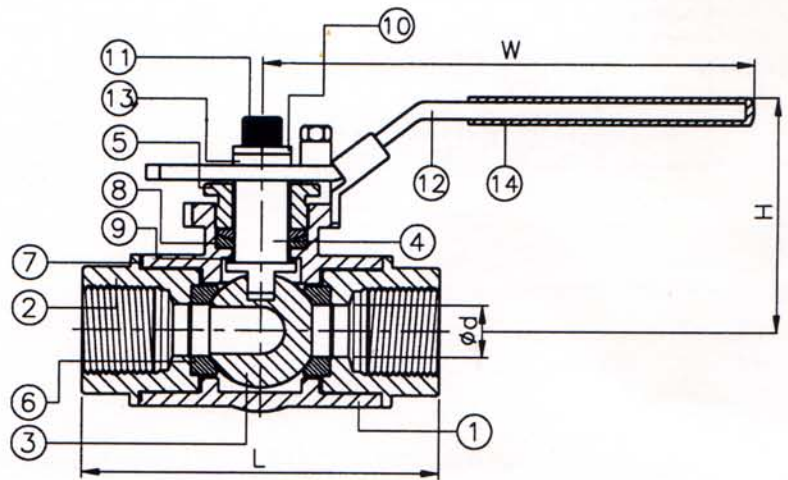


# VALVES

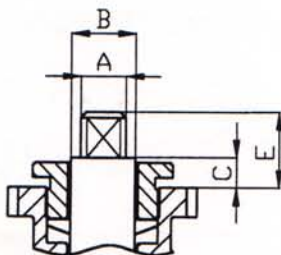
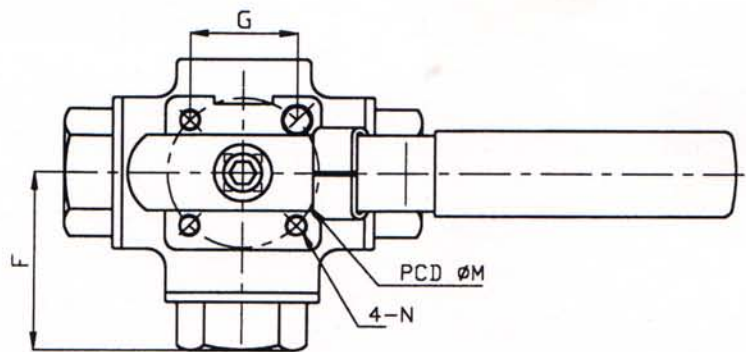
## Series L10 & T10 3-WAY BALL VALVE 1/4" - 2" 1000 WOG • L-PORT & T-PORT



ITEM	MATERIAL
SHELL WALL THICKNESS	ANSI B16.34 CLASS 400
PRESSURE TEMP RATING	ANSI B16.34
PRESSURE TEST	API 598
PIPE THREADS	ANSI B1.20.1
SOCKET DEPTH	ANSI B16.11
MOUNTING PAD	ISO 5211



NO.	PART NAME	MATERIAL
1	BODY	ASTM A351-CF8M
2	CAP	ASTM A351-CF8M
3	BALL	ASTM A351-CF8M
4	STEM	ASTM A276-316
5	GLAND	AISI 304
6	BALL SEAT	RTFE
7	BODY SEAL	PTFE
8	PACKING	PTFE
9	THRUST WASHER	PTFE
10	WASHER	AISI 304
11	HANDLE NUT	AISI 304
12	HANDLE	AISI 304
13	HANDLE WASHER	AISI 304
14	HANDLE SLEEVE	VINYL



### DIMENSIONAL DATA

Size	d	L	H	W	E	C	B	A	G	F	M	N	Torque (in - lb)	CV Value	Weight (lbs.)
1/4"	0.43	2.72	2.28	5.28	0.43	0.24	0.47	0.35	1.16	1.14	1.65 (F04)	3/16" 24 UNC	50	6	1.32
3/8"	0.43	2.72	2.28	5.28	0.43	0.24	0.47	0.35	1.16	1.14	1.65 (F04)	3/16" 24 UNC	50	6	1.32
1/2"	0.50	2.95	2.40	5.28	0.43	0.24	0.47	0.35	1.16	1.32	1.65 (F04)	3/16" 24 UNC	60	9	1.54
3/4"	0.63	3.39	3.19	7.09	0.51	0.24	0.59	0.43	1.40	1.52	1.97 (F05)	1/4" 20 UNC	70	12	2.64
1"	0.79	3.98	3.43	7.09	0.75	0.30	0.59	0.43	1.40	1.81	1.97 (F05)	1/4" 20 UNC	80	14	3.75
1-1/4"	0.98	4.65	3.74	8.27	0.96	0.30	0.59	0.43	1.40	2.04	1.97 (F05)	1/4" 20 UNC	120	24	5.29
1-1/2"	1.26	4.92	4.09	8.43	1.00	0.33	0.59	0.43	1.97	2.40	2.76 (F07)	5/16" 18 UNC	160	30	7.49
2"	1.50	5.87	4.33	9.13	1.00	0.33	0.73	0.55	1.97	2.81	2.76 (F07)	5/16" 18 UNC	420	50	12.12

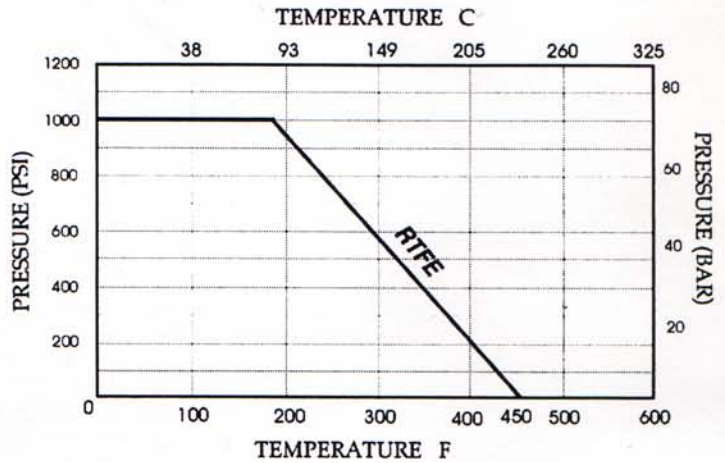


# VALVES

## Series L10 & T10 3-WAY BALL VALVE 1/4" - 2" 1000 WOG • L-PORT & T-PORT

Pressure-Temperature For Seat Rating

PORT TYPE	1	2	3	4
L				
T				



### WARREN FIGURE NUMBER ORDERING GUIDE

SERIES	PORT	BODY MATERIAL	SEAT MATERIAL	SEAL(s)*	ENDS
L10 - L-PORT 3-WAY BALL 1000 WOG	R - REDUCED	S - 316 SS	R - RPTFE	T - PTFE	T - NPT X NPT
T10 - T-PORT 3-WAY BALL 1000 WOG				*Denotes the limiting seal material	

### WARREN VALVE CORPORATION

**Headquarters and National Warehouse**  
Houston, Texas

Local (713) 672-9416 TOLL FREE (800) 231-6680 Fax (713) 672-8549

**Regional Warehouses**

Charlotte, North Carolina Local (704) 521-4478 TOLL FREE (800) 331-3672 Fax (704) 521-8243  
Salt Lake City, Utah Local (801) 975-1919 TOLL FREE (800) 801-2115 Fax (801) 975-9111

**Website:** [www.warrenalloy.com](http://www.warrenalloy.com) **E-Mail:** [info@warrenalloy.com](mailto:info@warrenalloy.com)



The information contained herein is not intended for specific construction or application purposes. Dimensions, specifications, or materials are subject to change without notice and without liability or obligation to furnish or install such changes or modifications on products previously or subsequently sold.