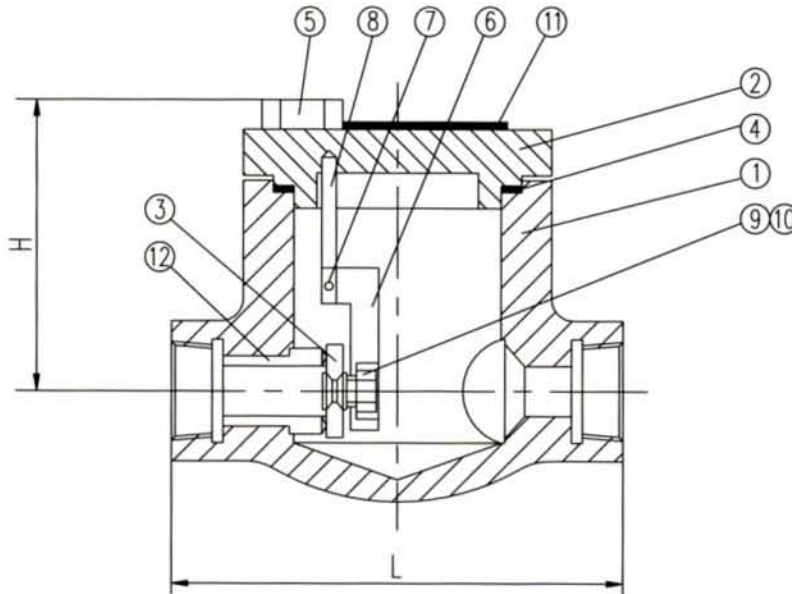


ASTMA105
Bolted Cover
Threaded Ends
Swing Type Disc
Rolled-in Seat Ring

Standards:

End Threads: ANSI B1.20.1
Socket-Weld: ANSI B16.11
Shell Wall Thickness: API 602
Test: API 598



Bolted Cover

Figure No. S8NA8
S8SA8

Material List

N0.	Part Name	Qty.	Material
1	Body	1	ASTMA105
2	Bonnet	1	ASTMA105
3	Disc	1	ASTMA182-F6a
4	Gasket	1	304SS / Graphite Spiral Wound
5	Bolt	4	ASTMA193-B7
6	Hinge	1	ASTMA105
7	Hinge Pin	1	ASTMA276-420
8	Holder	1	ASTMA276-420
9	Nut	1	ASTMA276-420
10	Washer	1	ASTMA276-420
11	Nameplate	1	Aluminum
12	Seat Ring	1	ASTMA105/Stellite Overlay

NOTE: 1. Body material LF2,F11,F5,304,304L
316 and 316L also available.
2. Socket-weld ends on request.

Dimensions & Weights

CLASS	SIZE	L(mm)	NPI(IN)	H(mm)	Weight(kg)
800#	1/2"	79	1/2	57	1.5
	3/4"	92	3/4	61	2
	1"	111	1	74	2.5
	1-1/2"	121	1-1/2"	97	4
	2"	140	2	110	6