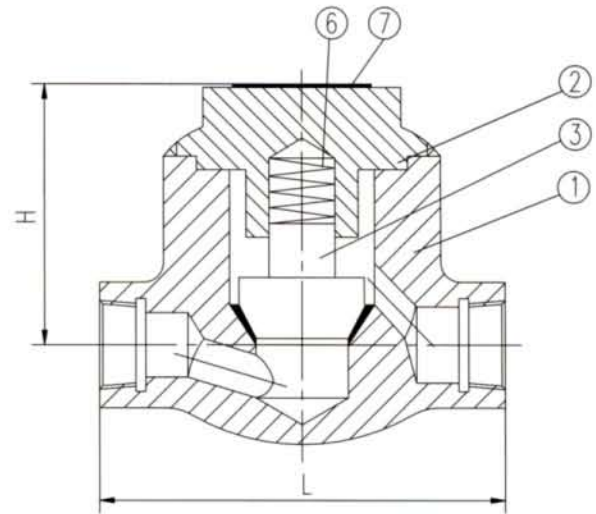


Bolted Cover
Figure No. P15NA8
P15SA8



Welded Cover
Figure No. P15NA8-W
P15SA8-W

ASTMA105
Bolted Cover
Threaded Ends
Piston Type Disc
Integral HF Seat

Standards:

End Threads: ANSI B1.20.1
Socket-Weld: ANSI B16.11
Shell Wall Thickness: API 602
Test: API 598

Material List

N0.	Part Name	Qty.	Matrrial
1	Body	1	ASTMA105/Stellite Overlay
2	Bonnet	1	ASTMA105
3	Disc	1	ASTMA182-F6a
4	Gasket	1	304SS / Graphite Spiral Wound
5	Bolt	4	ASTMA193-B7
6	Spring	1	Stainless Steel
7	Nameplate	1	Aluminum

NOTE: 1. Body material LF2,F11,F5,304,304L
316 and 316L also available.
2. Socket-weld ends on request.

Dimensions & Weights

CLASS	SIZE	L(mm)	NPI(IN)	H(mm)	Weight(kg)
1500#	1/4"	79	1/4	51	2
	3/8"	79	3/8	51	2
	1/2"	79	1/2	51	2
	3/4"	92	3/4	55	2.5
	1"	120	1	69	4
	1-1/4"	152	1-1/4	103	8
	1-1/2"	152	1-1/2	103	8
	2"	172	2	118	13