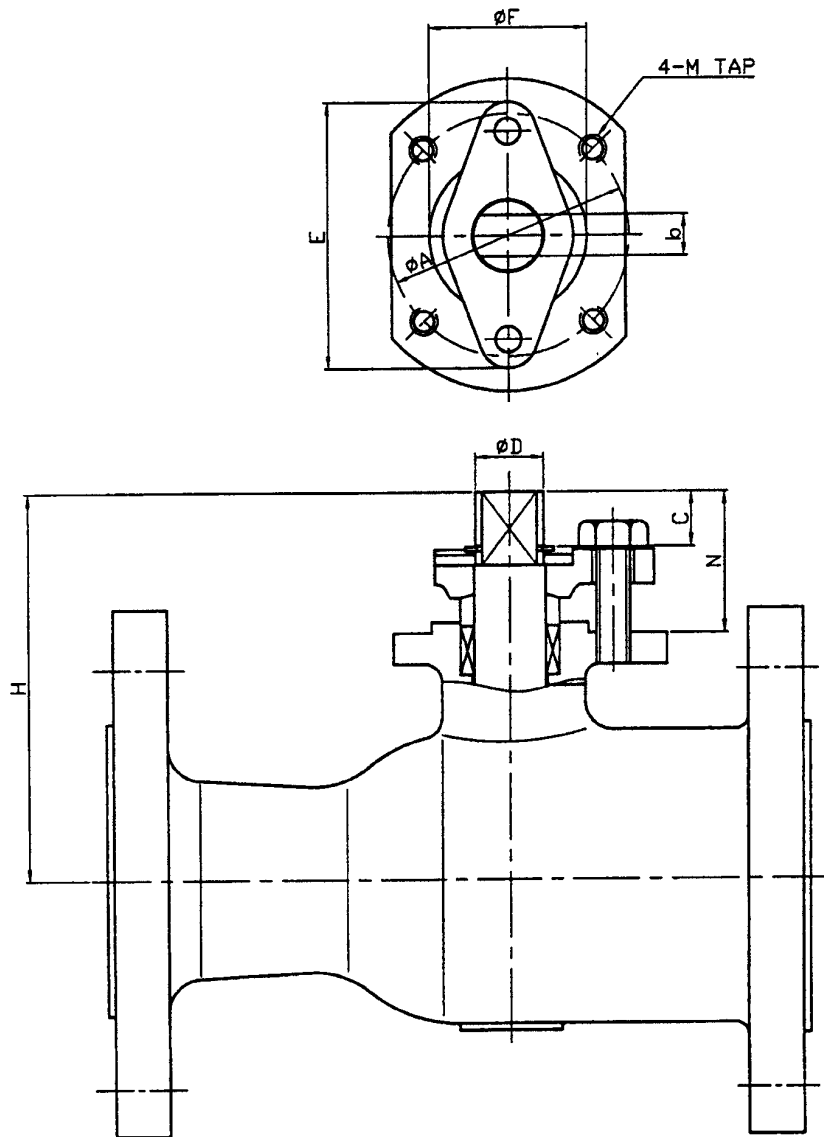


Warren®

VALVES

MOUNTING PAD DATA CLASS 150 AND 300 REDUCED PORT



Size	A	M Tap	D	N	C	b	H	F	E	ISO 5211
1-1/2"	1.969	1/4 - 20 UNC	0.551	0.950	0.280	0.315	2.992	1.378	2.559	F05
2"	2.756	5/16 - 18 UNC	0.787	1.450	0.433	0.472	3.858	1.378	3.150	F07
2-1/2"	2.756	5/16 - 18 UNC	0.787	1.450	0.433	0.472	3.853	1.378	3.150	F07
3"	4.016	3/8 - 16 UNC	1.063	2.200	0.787	0.669	5.295	2.441	4.331	F10
4"	4.016	3/8 - 16 UNC	1.063	2.080	0.787	0.669	5.866	2.441	4.331	F10
6"	4.016	3/8 - 16 UNC	1.339	2.180	1.024	0.866	7.165	2.756	4.331	F10
8"	4.921	1/2 - 13 UNC	1.717	3.460	1.496	1.024	10.669	2.759	4.646	F12