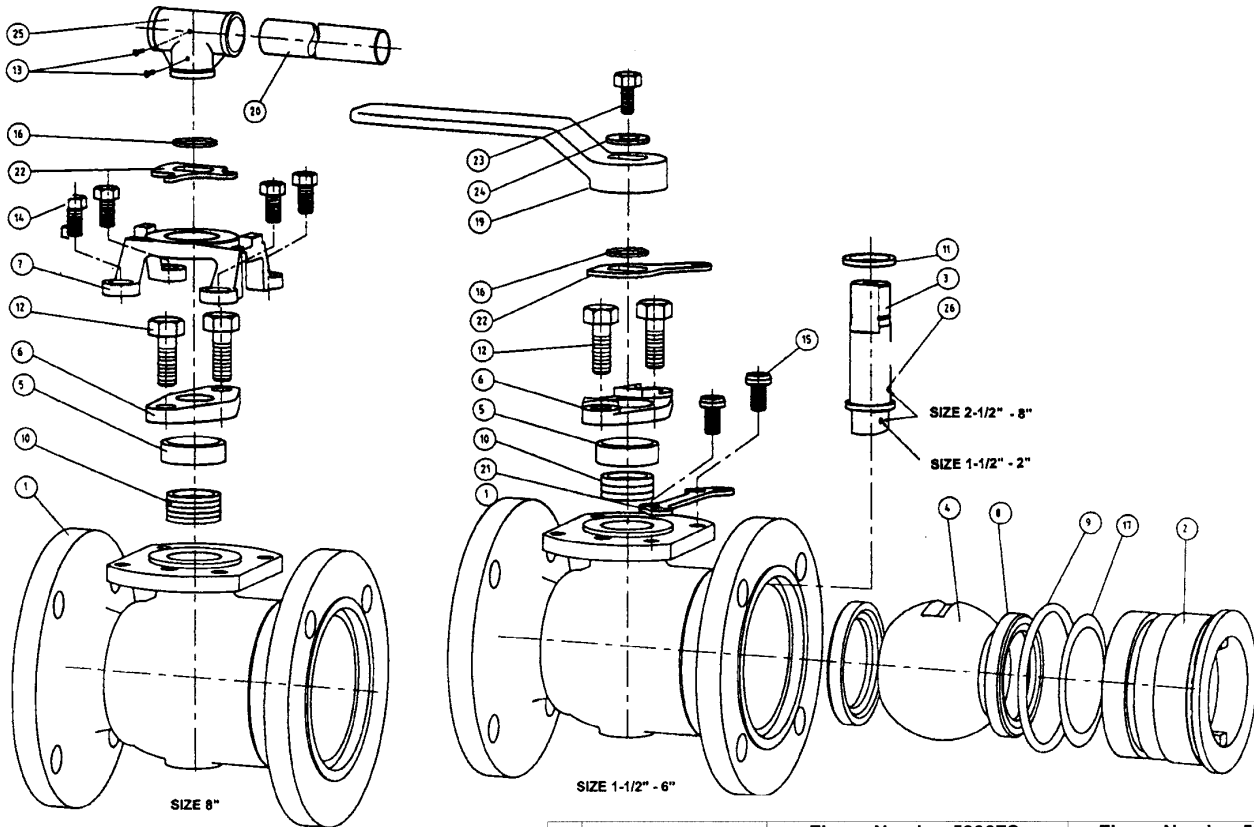


# Warren®

## VALVES

### STAINLESS STEEL CAST BALL VALVES 1-1/2" - 8" CLASS 300 REDUCED PORT



#### DESIGN STANDARDS

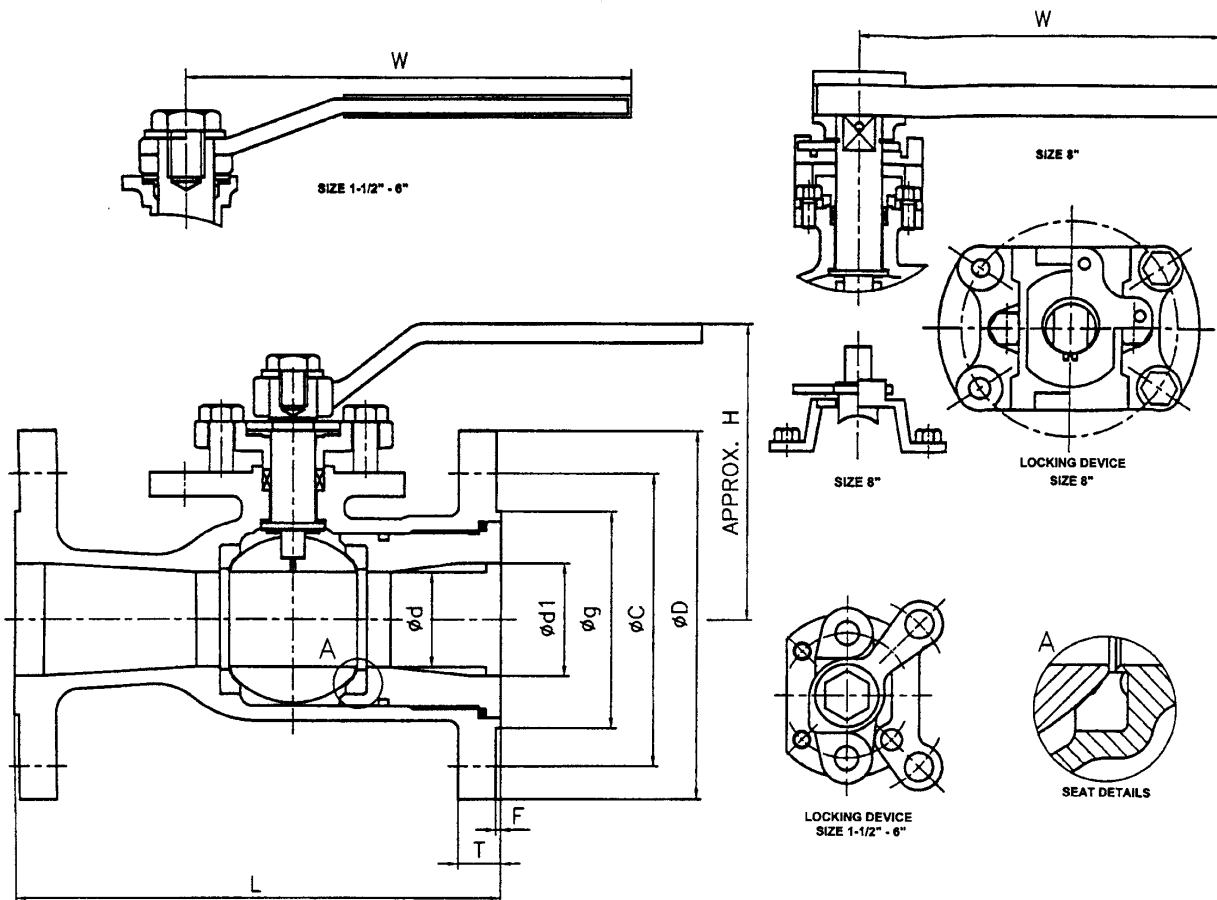
Shell Wall Thickness	ANSI B16.34
Pressure Temp Rating	ANSI B16.34
Pressure Test	API 598
Face to Face Dimensions	ANSI B16.10
End Flange Dimensions	ANSI B16.5
Mounting Pad	ISO 5211
Fire Safe	API 607 4th Edition *

Valve must contain graphite packing and stainless spiral wound graphite gasket to be Fire Safe. Any change in seal components can affect the fire-safe rating of the valve.

No.	Part Name	Figure Number 5306FS Stainless	Figure Number 5305FS Carbon Steel
1.	Body	A351-CF8M	A216-WCB
2.	Cap	A351-CF8M	A216-WCB
3.	Stem	A276-316	A276-316
4.	Ball	A351-CF8M	A351-CF8M
5.	Gland	A276-316	A276-316
6.	Gland Flange	A351-CF8	A351-CF8
7.	Yoke	A351-CF8	A216-WCB
8.	Seat	RTFE 15% Glass	RTFE 15% Glass
9.	Gasket	Graphite	Graphite
10.	Gland Packing	Expanded Graphite + Corrosion Inhibitor	
11.	Thrust Washer	RTFE 15% Glass	RTFE 15% Glass
12.	Gland Bolt	A193-B8	A193-B8
13.	Set Screw	A193-B8	A193-B8
14.	Yoke Bolt	A193-B8	A193-B7
15.	Locking Bolt	A193-B8	A193-B8
16.	Snap Ring	A686-W1	A686-W1
17.	O-Ring	VITON	NBR
19.	Vinyl Coated Handle	A108-1020 sizes 1-1/2"-2-1/2"	A108-1020 sizes 1-1/2"-2-1/2"
19.	Handle	A536 sizes 3" - 6"	A536 sizes 3" - 6"
20.	Pipe Handle	Carbon Steel size 8"	Carbon Steel size 8"
21.	Locking Plate	A167-304	A167-304
22.	Stopper	A167-304	A167-304
23.	Handle Bolt	A193-B8	A193-B8
24.	Washer	A167-304	A167-304
25.	Handle Guide "T"	A216-WCB	A216-WCB
26.	Anti Static Device	SS316	SS316

# Warren® VALVES

## STAINLESS STEEL CAST BALL VALVES 1-1/2" - 8" CLASS 300 REDUCED PORT



DIMENSIONAL DATA

Size	d	d1	L	H	W	D	C	g	T	F	Cv Value Approx.	Weight (lb.) Approx.
1-1/2"	1.00	1.50	7.50	4.00	6.00	6.14	4.50	2.87	0.81	.0625	106	20.00
2"	1.50	2.00	8.50	5.00	9.00	6.50	5.00	3.62	0.88	.0625	155	26.50
3"	2.32	3.00	11.14	6.06	13.80	8.25	6.62	5.00	1.12	.0625	360	55.00
4"	3.00	4.00	12.00	6.69	13.80	10.00	7.88	6.19	1.25	.0625	665	88.00
6"	4.01	6.00	15.87	8.11	17.70	12.50	10.62	8.50	1.44	.0625	1170	154.0
8"	5.67	8.00	16.50	12.76	23.60	15.00	13.00	10.62	1.62	.0625	2300	330.0