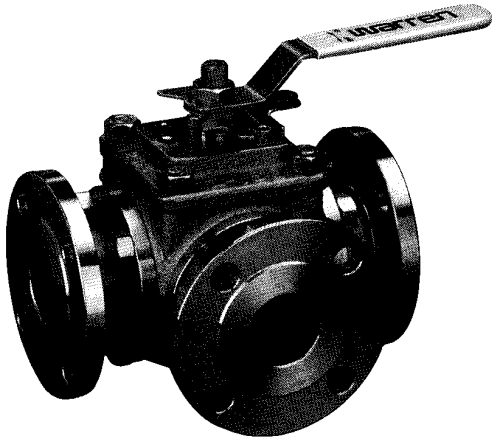




VALVES

Stainless Steel 3-way & 4-way Flanged End Ball Valves

Class 150 T-Port



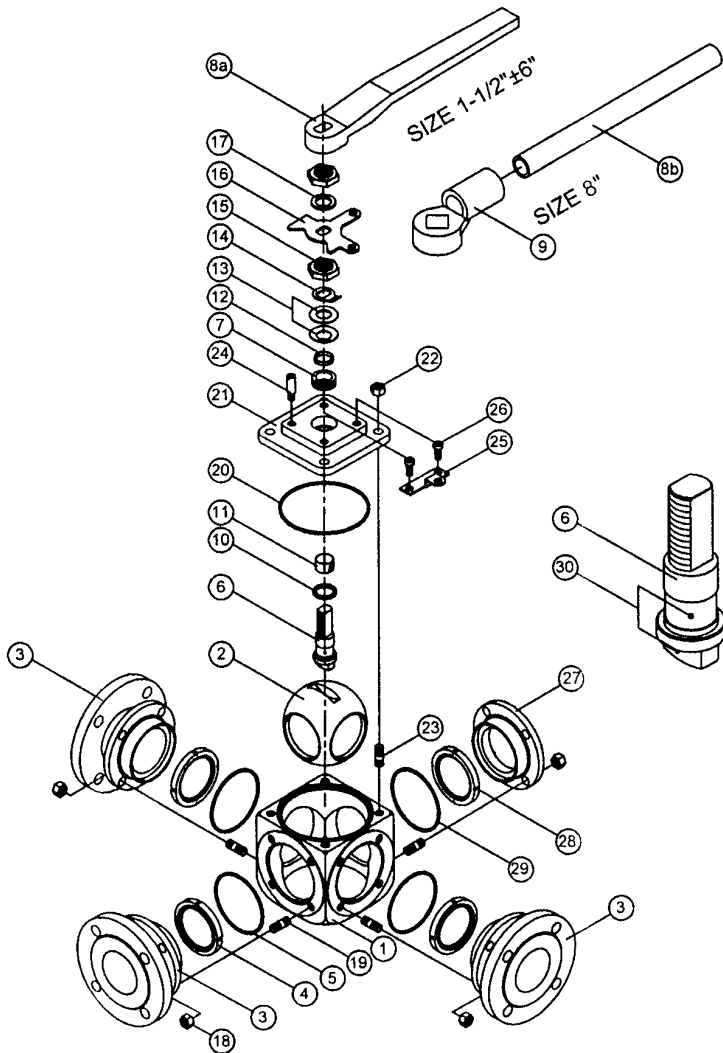
FEATURES

- Full Port
- Standard Locking Stainless Handle
- 4-Seat Design

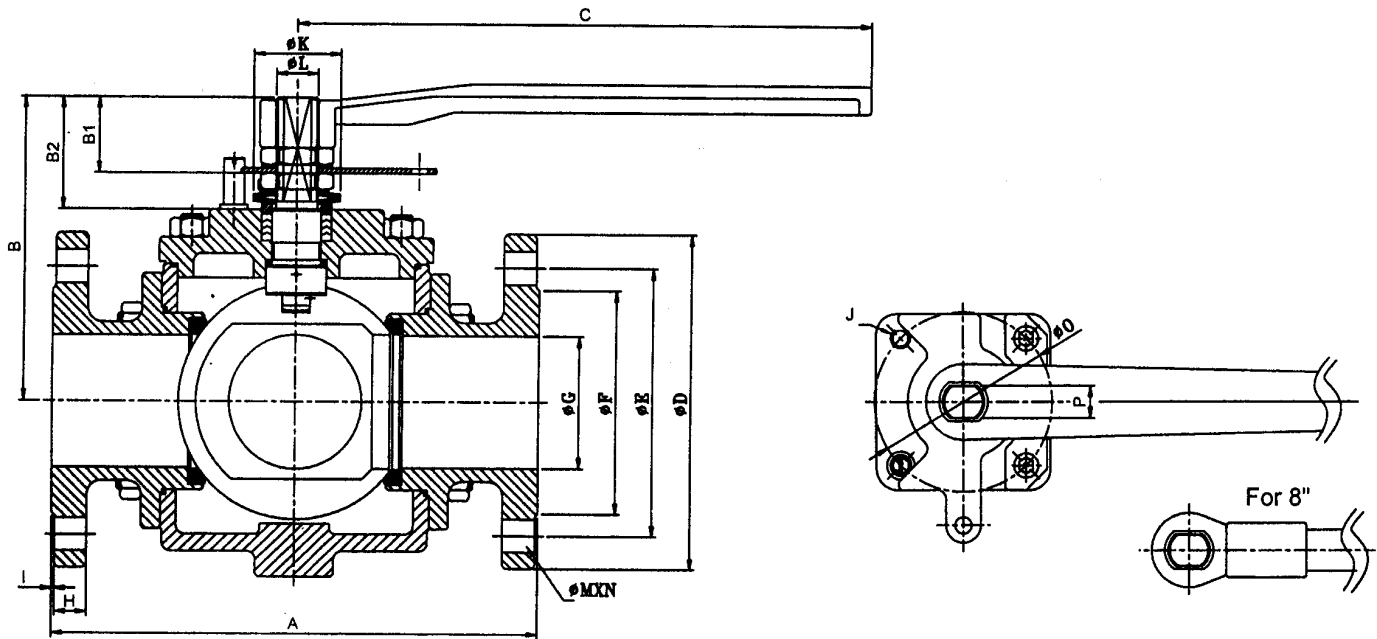
FIGURE NUMBER T156
(3-WAY)

STANDARDS

Shell Wall Thickness	ANSI B16.34
Pressure Temperature Rating (valve shell)	ANSI B16.34
Pressure Test	API 598
End Flange Dimension	ANSI B16.5
Actuator Mounting Pad	ISO 5211



No.	Part Name	Material
1.	Body	ASTM A351 Gr. CF8M
2.	Ball	ASTM A351 Gr. CF8M
3.	Flange Cap	ASTM A351 Gr. CF8M
4.	Seat	RTFE (PTFE + 15% G/F)
5.	Body Seal	RTFE (PTFE + 15% G/F)
6.	Stem	ASTM A276 Gr. 316
7.	Stem Packing	PTFE
8a.	Handle	ASTM A536 Gr. FCD45
8b.	Handle	Pipe Steel
9.	Handle Adapter	ASTM A351 Gr. CF8
10.	Thrust Washer	RTFE (15% G/F)
11.	Stem Bushing	RTFE (PTFE + 15% G/F)
12.	Stem Follower	ASTM A276 Gr. 316
13.	Belleville Washer	ASTM A240 Gr. 304
14.	Lock Washer	ASTM A240 Gr. 304
15.	Stem Nut	ASTM A194 Gr. 8
16.	Locking Pad	ASTM A240 Gr. 304
17.	Washer	ASTM A240 Gr. 304
18.	Nut	ASTM A194 Gr. 8
19.	Stud	ASTM A193 Gr. B8
20.	Top Seal	RTFE (PTFE + 15% G/F)
21.	Top Cover	ASTM A351 Gr. CF8M
22.	Top Nut	ASTM A194 Gr. 8
23.	Top Stud	ASTM A193 Gr. B8
24.	Stop Pin	ASTM A276 Gr. 304
25.	Stop Plate	ASTM A240 Gr. 304
26.	Hex Screw	ASTM A194 Gr. 8
27.	Side Cover	ASTM A351 Gr. CF8M
28.	Side Cover Seat	RTFE (PTFE + 15% G/F)
29.	Side Cover Seal	RTFE (PTFE + 15% G/F)
30.	Anti-Static Device	ASTM A276 Gr. 316



**FIGURE NUMBER T156
(3-WAY)**

STANDARDS

Shell Wall Thickness	ANSI B16.34
Pressure Temperature Rating (valve shell)	ANSI B16.34
Pressure Test	API 598
End Flange Dimension	ANSI B16.5
Actuator Mounting Pad	ISO 5211

DIMENSIONS

Size	A	B	B1	B2	C	D	E	F	G	H	I	J	K	L	M	N	O	P	Weight lbs.
1-1/2"	8.86	5.19	1.24	1.88	12.93	5.00	3.88	2.88	1.50	0.56	0.06	5/16" - 18	1.26	0.71	0.62	4	2.76	0.51	35.27
2"	9.53	5.68	1.24	1.88	12.93	6.00	4.75	3.62	2.00	0.62	0.06	5/16" - 18	1.26	0.71	0.75	4	2.76	0.51	47.40
3"	11.10	6.96	1.50	2.47	12.93	7.50	6.00	5.00	3.00	0.75	0.06	3/8" - 16	1.97	0.94	0.75	4	4.02	0.71	87.52
4"	13.10	9.14	2.27	3.66	29.62	9.00	7.50	6.19	4.00	0.94	0.06	1/2" - 13	2.76	1.38	0.75	8	4.92	1.12	151.46
6"	17.60	10.20	2.54	4.04	40.00	11.00	9.50	8.50	6.00	1.00	0.06	5/8" - 11	3.54	1.77	0.88	8	5.51	1.26	233.69
8"	22.40	13.10	2.66	4.57	40.00	13.50	11.75	10.62	8.00	1.12	0.06	3/4" - 10	4.50	2.20	0.88	8	6.50	1.57	498.24

WARREN VALVE CORPORATION

Headquarters and National Warehouse

Houston, Texas Local (713) 672-9416 TOLL FREE (800) 231-6680 Fax (713) 672-8549

Regional Warehouses

Charlotte, North Carolina Local (704) 521-4478 TOLL FREE (800) 331-3672 Fax (704) 521-8243

Salt Lake City, Utah Local (801) 975-1919 TOLL FREE (800) 801-2115 Fax (801) 975-9111

Website: www.warrenalloy.com

E-Mail: info@warrenalloy.com



The information contained herein is not intended for specific construction or application purposes. Dimensions, specifications, or materials are subject to change without notice and without liability or obligation to furnish or install such changes or modifications on products previously or subsequently sold.