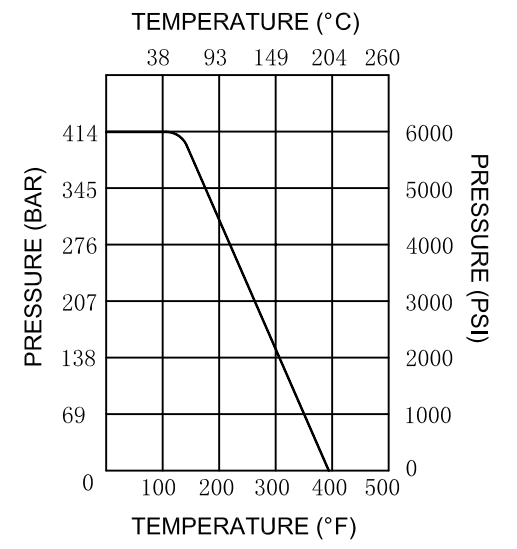
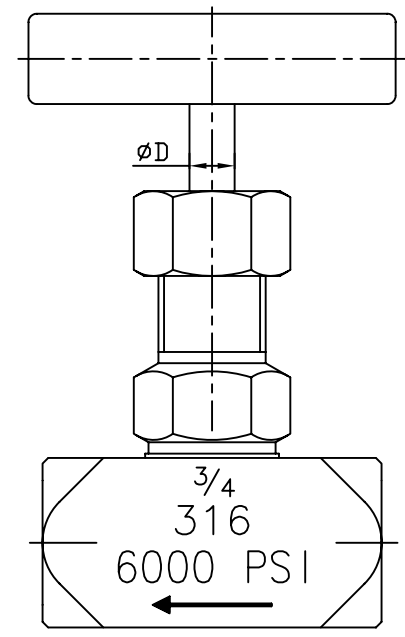
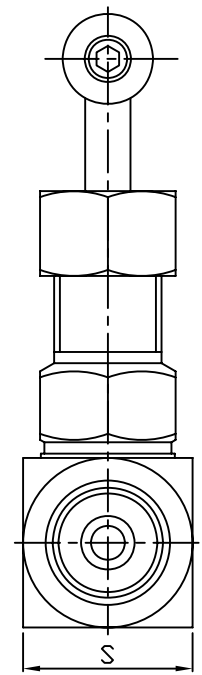
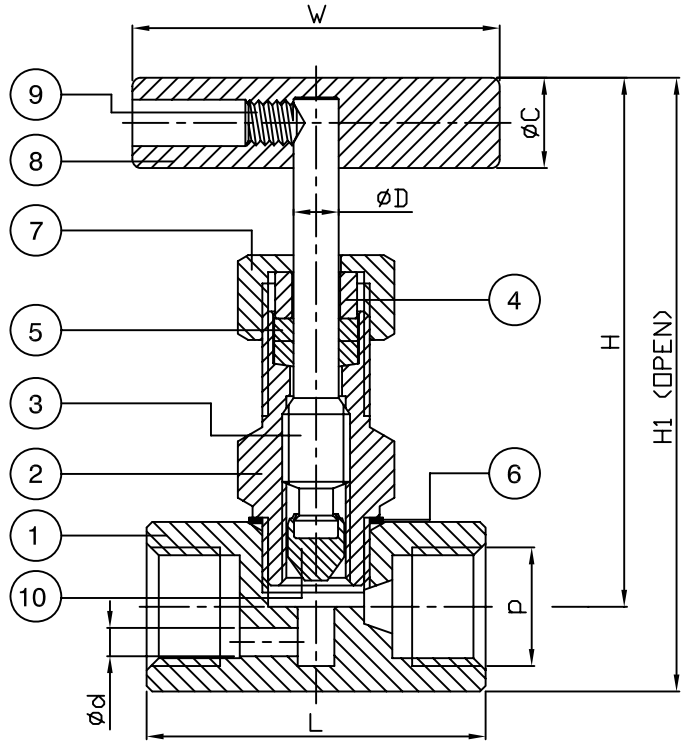


GENERAL TOLERANCE	0.5~5 6~30 31~120 121~320 321~1000	± 0.1 ± 0.2 ± 0.3 ± 0.5 ± 0.8
	0.25	▽
	6.3	▽▽
	1.6	▽▽▽
	0.2	▽▽▽▽
Ra		JIS



WARREN ALLOY  
5721 Harvey Wilson Drive  
Houston, Texas, 77020 USA  
(800) 231-6680

E-mail: info@warrenalloy.com  
Website: www.warrenalloy.com  
Local: (713) 672-9416  
Fax: (713) 672-8549

NPS	W	S	C	d	D	H1	H	L	P	Cv	Weight (lb)
1/8"	2.36	0.87	0.51	0.12	0.28	3.23	2.56	1.77	1/8"	0.4	0.6
1/4"	2.36	0.87	0.51	0.12	0.28	3.23	2.56	1.77	1/4"	0.4	0.6
3/8"	2.36	0.98	0.51	0.12	0.28	3.35	2.64	1.97	3/8"	0.4	0.71
1/2"	2.56	1.18	0.63	0.16	0.31	4.21	3.39	2.36	1/2"	0.75	1.17
3/4"	2.56	1.38	0.63	0.2	0.31	4.37	3.46	2.56	3/4"	0.9	1.45
1"	3.15	1.81	0.75	0.28	0.39	5.12	3.94	3.27	1"	1.8	3.09

unit:in

ITEM	PARTS	MATERIAL
1	BODY	AISI 316
2	BONNET	
3	STEM	
4	GLAND RING	PTFE
5	PACKING	
6	GASKET	AISI 316
7	GLAND NUT	
8	HANDLE	AISI 410
9	FIXING SCREW	ALLOY STEEL
10	DISC	AISI 316

WARREN VALVE

CHECK BY	DRAWING BY	DATE	SPECIFICATION	NEEDLE VALVES 6000 PSI
	Julie	Nov.24.2008	MATERIAL	AISI 316
			PROCESS/Nr.	
			UNIT / SCALE	in

△			
△			
△			
Revise	Description	Date	Approve
DRAWING NO. FIG #9066 -08			