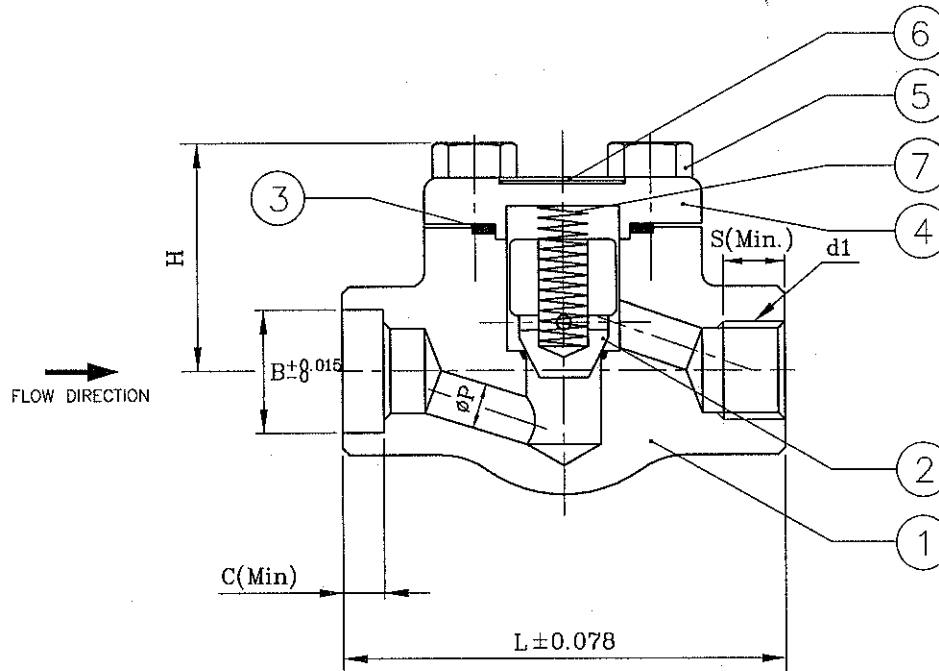


BILL OF MATERIAL

No.	Parts	Materials	Remark
1	BODY	A182-F316/F316L	Marking : F316L
-	SEAT(INTEGRAL)		HF(#6)
2	DISC	A276-316	HF(#6)
3	GASKET	SPW 316/L+Graphite	
4	COVER	A182-F316/F316L	
5	COVER BOLT	A193-B8	
6	NAME PLATE	Stainless steel	
7	SPRING	316SS	



WARREN MODEL 1504HF

D I M E N S I O N (inch)

NPS (inch)	H	L	Port Dia. P(Min.)	Ends				Weight (kg)	Q'ty (ea)	Tag No.
				B	C	d1	S			
1/2	2.204	3.622	0.377	0.855	0.38	1/2NPT	0.5337	1.5	-	
3/4	2.559	4.094	0.5	1.065	0.50	3/4NPT	0.5457	2.0	-	
1	2.952	5.511	0.708	1.330	0.50	1 NPT	0.6828	4.1	-	
1 1/2	3.937	5.748	1.125	1.915	0.50	1 1/2 NPT	0.7235	6.4	-	
2	4.921	8.267	1.476	2.406	0.62	2 NPT	0.7565	9.8	-	

Design : API 602, BS 5352, ISO 15761, ASME B16.34

Ends Connection : SWxNPT

Pressure Test (API 598)	Shell	Hydraulic : 5400 psig (380 kgf/cm ²)
	Seat	Hydraulic : 3975 psig (280 kgf/cm ²)
	Backseat	Hydraulic : N/A

△					
△					
△	First Issue	-	S.G.CHO	M.H.LEE	H.K.KIM
Rev.	Description	Date	Drawn by	Chk'd by	App'd by
WARREN ALLOY VALVE & FITTING CO.					
TITLE : CLASS 1500 PISTON CHECK RP BC					
A182-F316L TRIM 316 FHF					
Drawing No.		15E16A16X		Rev.	0