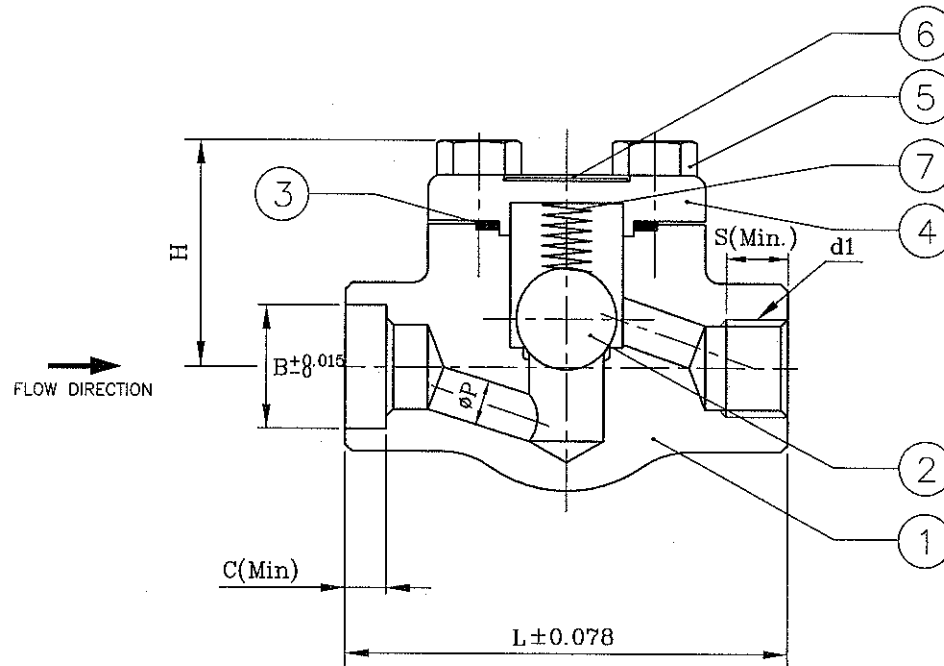


BILL OF MATERIAL

No.	Parts	Materials	Remark
1	BODY	A182-F316/F316L	Marking : F316L
-	SEAT(INTEGRAL)		HF(#6)
2	BALL	A276-316	
3	GASKET	SPW 316/L+Graphite	
4	COVER	A182-F316/F316L	
5	COVER BOLT	A193-B8	
6	NAME PLATE	Stainless steel	
7	SPRING	316SS	



WARREN MODEL 805

D I M E N S I O N (inch)

NPS (inch)	H	L	Port Dia. P(Min.)	Ends				Weight (kg)	Q'ty (ea)	Tag No.
				B	C	d1	S			
1/2	1.811	2.992	0.374	0.855	0.38	1/2NPT	0.5337	1.0	-	
3/4	2.204	3.622	0.5	1.065	0.50	3/4NPT	0.5457	1.6	-	
1	2.559	4.094	0.688	1.330	0.50	1 NPT	0.6828	2.2	-	
1 1/2	2.952	5.511	1.161	1.915	0.50	1 1/2 NPT	0.7235	4.2	-	
2	3.937	5.748	1.377	2.406	0.62	2 NPT	0.7565	7.0	-	

Design : API 602, BS 5352, ISO 15761, ASME B16.34	
Ends Connection : SWxNPT	
Pressure Test (API 598)	Shell Hydraulic : 2900 psig (204 kgf/cm ²)
	Seat Hydraulic : 2125 psig (150 kgf/cm ²)
	Backseat Hydraulic : N/A

△					
△					
△	First Issue	-	S.G.CHO	M.H.LEE	H.K.KIM
Rev.	Description	Date	Drawn by	Chk'd by	App'd by
WARREN ALLOY VALVE & FITTING CO.					
TITLE : CLASS 800 BALL CHECK RP BC					
A182-F316L TRIM 316					
Drawing No.	8G16A16X			Rev.	0