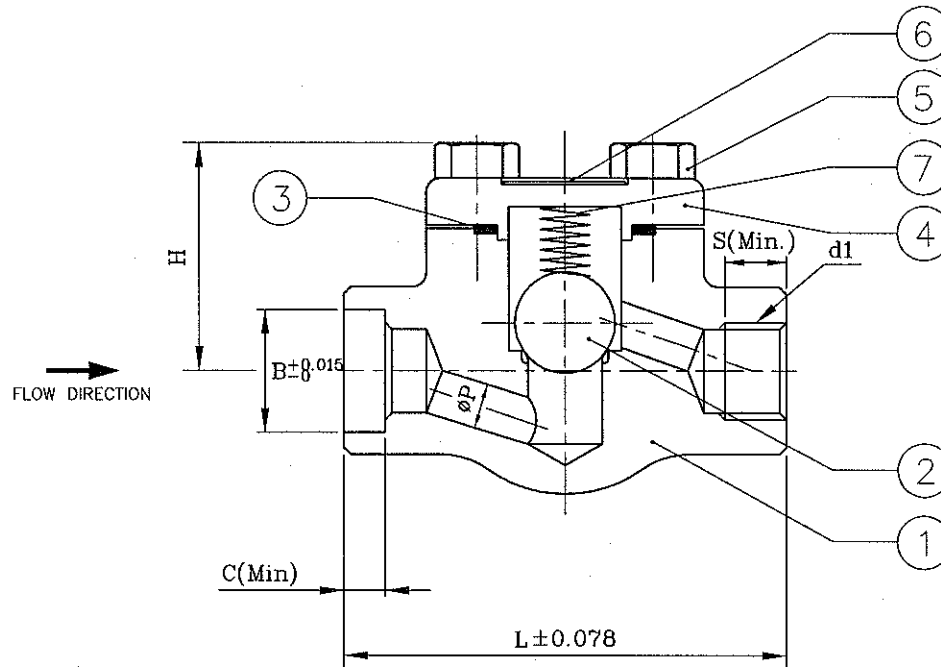


BILL OF MATERIAL

No.	Parts	Materials	Remark
1	BODY	A182-F316/F316L	Marking : F316L
-	SEAT(INTEGRAL)		HF(#6)
2	BALL	A276-316	
3	GASKET	SPW 316/L+Graphite	
4	COVER	A182-F316/F316L	
5	COVER BOLT	A193-B8	
6	NAME PLATE	Stainless steel	
7	SPRING	316SS	



WARREN MODEL 1505

D I M E N S I O N (inch)

NPS (inch)	H	L	Port Dia. P(Min.)	Ends				Weight (kg)	Q'ty (ea)	Tag No.
				B	C	d1	S			
1/2	2.204	3.622	0.374	0.855	0.38	1/2NPT	0.5337	1.5	-	
3/4	2.559	4.094	0.5	1.065	0.50	3/4NPT	0.5457	2.0	-	
1	2.952	5.511	0.629	1.330	0.50	1 NPT	0.6828	4.1	-	
1 1/2	3.937	5.748	1.062	1.915	0.50	1 1/2 NPT	0.7235	6.4	-	
2	4.921	8.267	1.377	2.406	0.62	2 NPT	0.7565	9.8	-	

Design : API 602, BS 5352, ISO 15761, ASME B16.34

Ends Connection : SWxNPT

Pressure Test (API 598)	Shell	Hydraulic : 5400 psig ( 380 kgf/cm <sup>2</sup> )
	Seat	Hydraulic : 3975 psig ( 280 kgf/cm <sup>2</sup> )
	Backseat	Hydraulic : N/A

Rev.	Description	Date	Drawn by	Chk'd by	App'd by
	First Issue	-	S.G.CHO	M.H.LEE	H.K.KIM

WARREN ALLOY VALVE & FITTING CO.

TITLE : CLASS 1500 BALL CHECK RP BC  
A182-F316L TRIM 316

Drawing No.	15G16A16X	Rev.	0
-------------	-----------	------	---