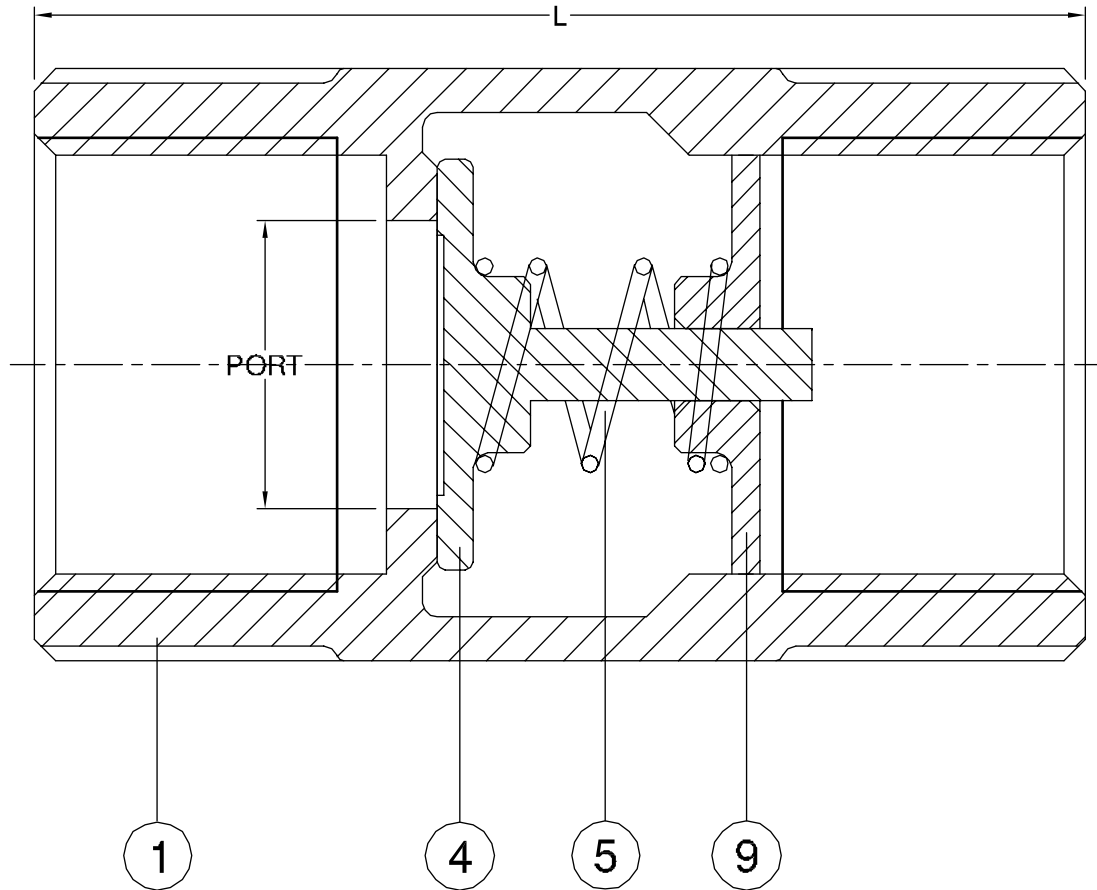


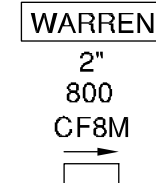
Fig No: WARREN-486T



MATERIALS LIST

NO.	PART NAME	MATERIAL
1	BODY	ASTM A351 GR.CF8M
4	PLUG	SS316
5	SPRING	SS316
9	BALL	SS316

BODY MARK  
(EXAMPLE)



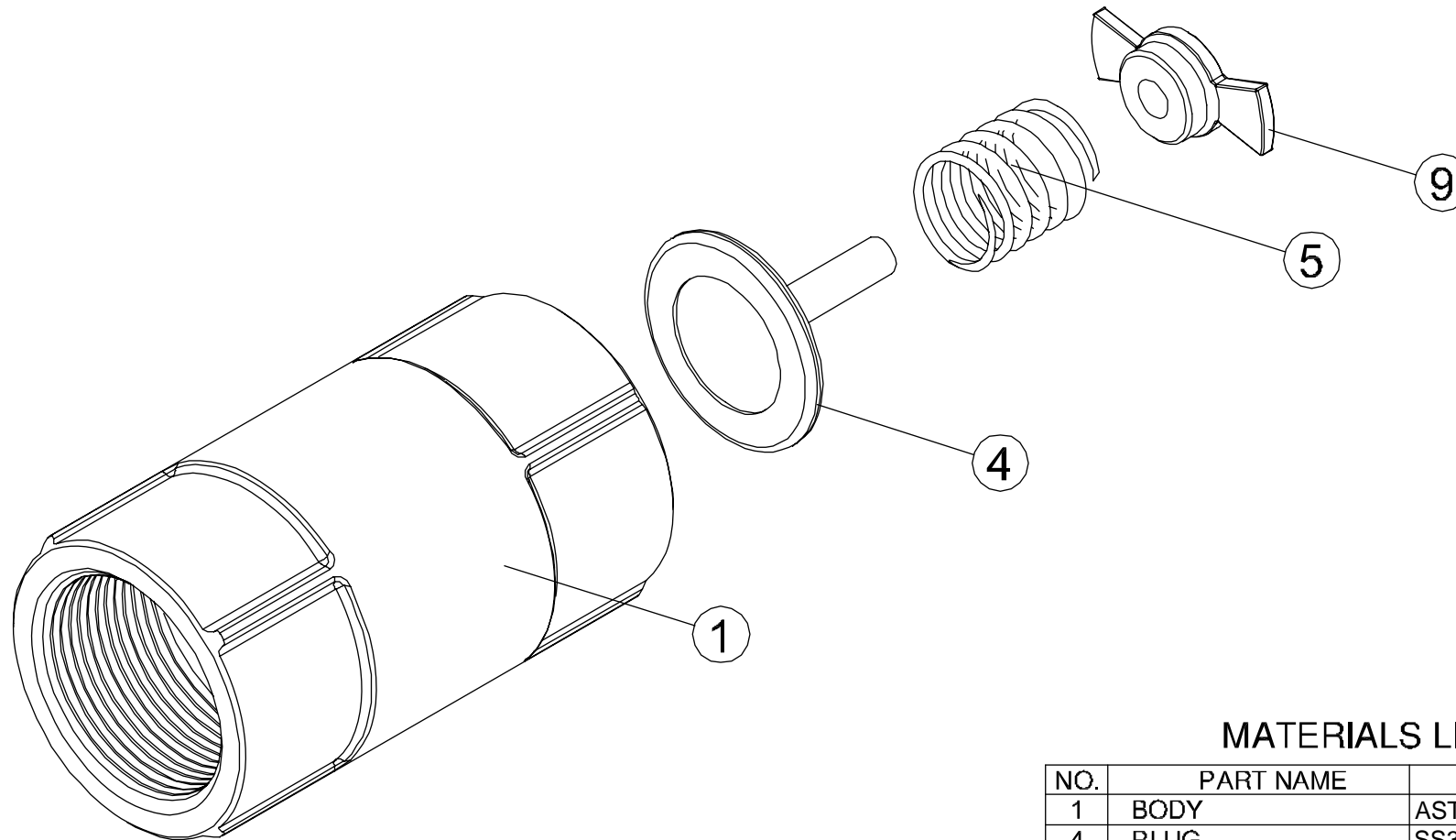
DIMENSIONS

SIZE	PORT	L	unit:inch	
			Weight(lbs)	
DN15	1/2"	0.44	2.24	0.22
DN20	3/4"	0.59	2.48	0.44
DN25	1"	0.79	2.87	0.66
DN32	1-1/4"	0.98	3.19	1.06
DN40	1-1/2"	1.26	3.61	1.32
DN50	2"	1.57	4.03	2.09



	APPROVED BY.	CHECK BY.	DRAWN BY.	DRAWING NO.	MATERIAL	UNIT	DESCRIPTION
SIGN	TONY	MICHAEL	SAYA	WARREN-486T	MATERIALS LIST	inch	STAINLESS STEEL SPRING CHECK VALVES, THREADED END, 800 PSI
DATE	08/05/2010	08/05/2010	08/05/2010	REVISION 03	SCALE	FREE	

Fig No: **WARREN-486T**



BODY MARK  
(EXAMPLE)

WARREN  
2"  
800  
CF8M  
→  
□

**MATERIALS LIST**

NO.	PART NAME	MATERIAL
1	BODY	ASTM A351 GR.CF8M
4	PLUG	SS316
5	SPRING	SS316
9	BALL	SS316



	APPROVED BY.	CHECK BY.	DRAWN BY.	DRAWING NO.		MATERIAL	UNIT	DESCRIPTION
SIGN	TONY	MICHAEL	SAYA	WARREN-486T		MATERIALS LIST	mm	STAINLESS STEEL SPRING CHECK VALVES, THREADED END, 800 PSI
DATE	08/05/2010	08/05/2010	08/05/2010	REVISION	03	SCALE	FREE	