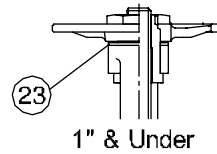
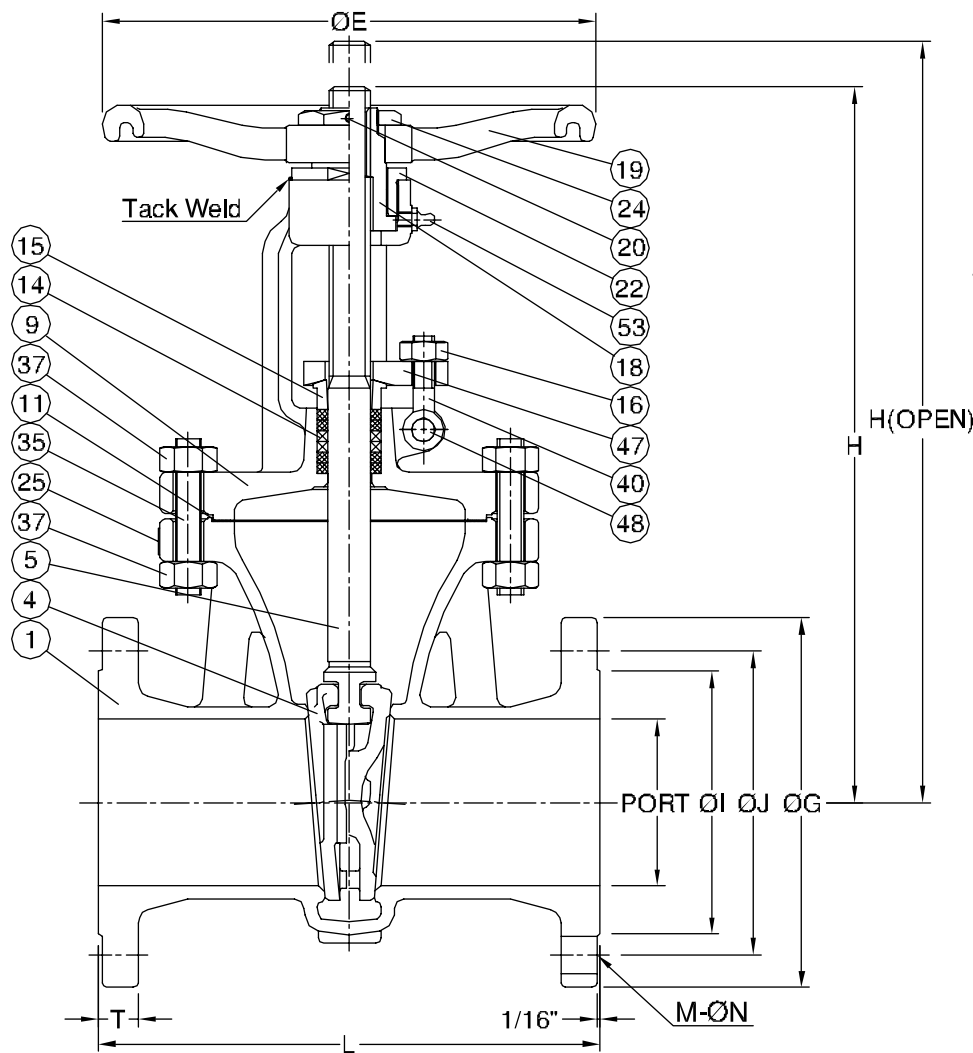


Fig No: WARREN-1302



MATERIALS LIST

NO.	NAME PARTS	MATERIALS
1	BODY	ASTM A351 Gr.CN7M
4	WEDGE	ASTM A351 Gr.CN7M (FLEXIBLE WEDGE)
5	STEM	ALLOY 20
9	BONNET	ASTM A351 Gr.CN7M
11	GASKET	S.S SPIRAL WOUND+PTFE.
14	PACKING	PTFE.
15	GLAND	ALLOY 20
16	EYE BOLT NUT	ASTM A194 Gr.8 (HEAVY)
18	SLEEVE	ASTM A394 Gr.D2C
19	HANDWHEEL	ASTM A536 DUCTILE IRON
20	SET SCREW	ASTM A193 Gr.B8
22	STEM NUT	ASTM A351 Gr.CF8 (1-1/2" ~ 6")
23	WASHER	ASTM A276 Gr.304 (1" UNDER)
24	HANDWHEEL NUT	ASTM A351 Gr.CF8
25	NAME PLATE	ASTM A666-304
35	BONNET STUD	ASTM A193 Gr.B8 CLASS 2
37	BONNET NUT	ASTM A194 Gr.8 (HEAVY)
40	EYE BOLT	ASTM A193 Gr.B8
47	GLAND FLANGE	ASTM A351 Gr.CF8
48	EYE BOLT PIN	ASTM A276 Gr.304
53	GREASE FITTING	ANSI 304 (1-1/2" ABOVE)

DIMENSIONS

SIZE		PORT	L	ØE	H	H(OPEN)	ØG	ØJ	ØI	T	M	ØN	unit:inch Wc:lg ht(lbs)
DN15	1/2"	0.59	5.50	3.94	7.20	7.91	3.75	2.62	1.38	0.56	4	5/8	9
DN20	3/4"	0.75	6.00	3.94	7.95	8.86	4.62	3.25	1.69	0.62	4	3/4	12
DN25	1"	1.00	6.50	5.91	9.41	10.55	4.88	3.50	2.00	0.69	4	3/4	19
DN40	1-1/2"	1.50	7.50	7.87	10.55	12.24	6.12	4.50	2.88	0.81	4	7/8	32
DN50	2"	2.00	8.50	7.87	11.85	14.17	6.50	5.00	3.62	0.88	8	3/4	39
DN65	2-1/2"	2.50	9.49	7.87	13.15	16.02	7.50	5.88	4.13	1.00	8	7/8	56
DN80	3"	3.11	11.13	11.81	14.49	17.91	8.25	6.62	5.00	1.12	8	7/8	87
DN100	4"	4.00	12.00	11.81	17.17	21.57	10.00	7.88	6.19	1.25	8	7/8	123
DN150	6"	6.00	15.88	--	--	--	12.50	10.62	8.50	1.44	12	7/8	--
DN200	8"	8.00	16.50	--	--	--	15.00	13.00	10.62	1.62	12	1	--

APPLICABLE STANDARDS:
 Gate Valve:API 603
 Shell Wall Thickness:ANSI B16.34
 Face to Face:ANSI B16.10
 End Flanges:ANSI B16.5
 Inspection Per API 598

TEST PRESSURE:
 Shell (by Water),1080 Psig
 Seat (by Water),792 Psig
 (by Air),80 Psig

BODY MARK (EXAMPLE)
 WARREN
 2
 300
 CN7M



	APPROVED BY.	CHECK BY.	DRAWN BY.	DRAWING NO.		MATERIAL		UNIT	DESCRIPTION
SIGN	TONY	MICHAEL	SAYA	WARREN-1302		MATERIAL LIST		inch	GATE VALVES ANSI CLASS 300
DATE	04/12/2009	04/12/2009	04/12/2009	REVISION	02	SCALE	FREE		