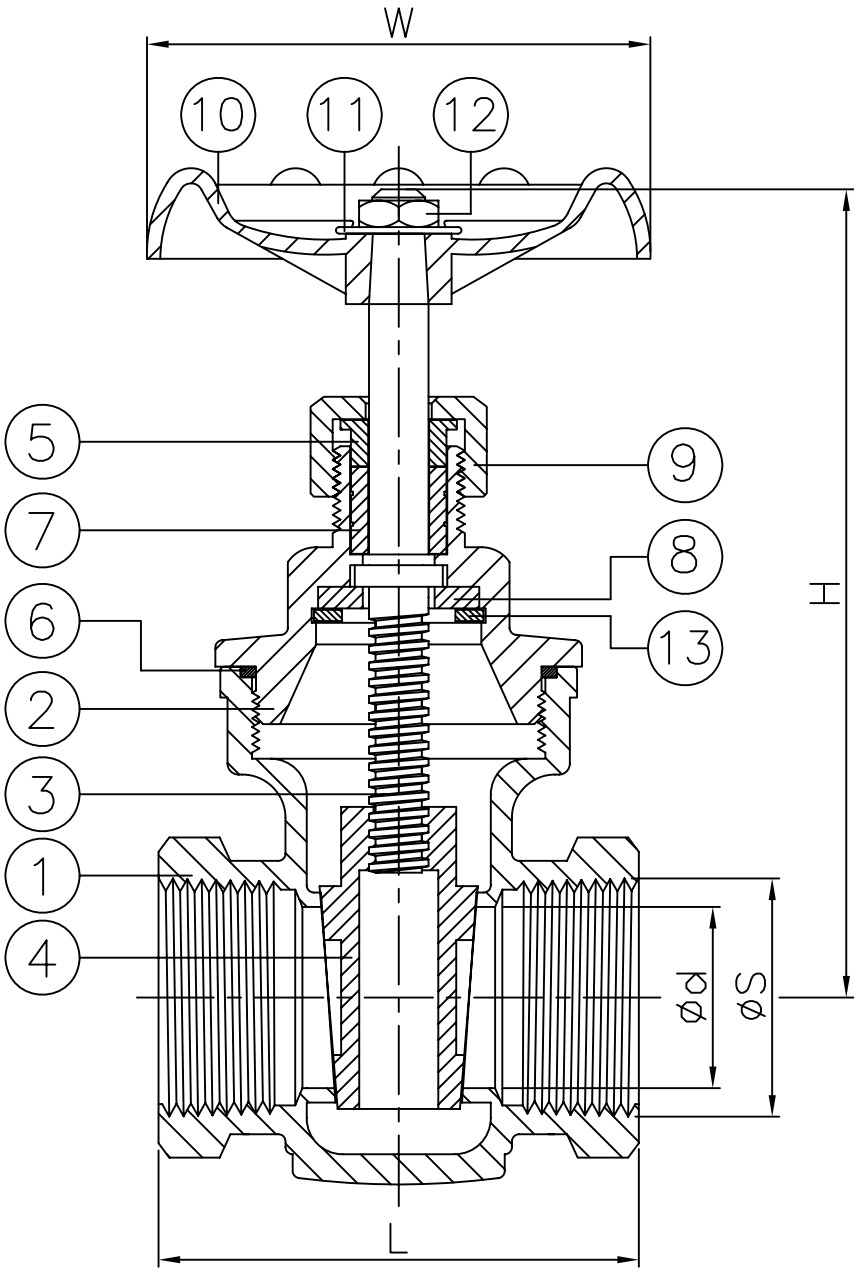


Ra	0.2	▽▽▽▽	JIS
	1.6	▽▽	
	6.3	▽	
	25	▽	
	▽	~	

GENERAL TOLERANCE	± 0.1
	± 0.2
	± 0.3
	± 0.5
	± 0.8
	± 1.0
	± 1.5
	± 2.0
	± 3.0
	± 4.0
	± 5.0
	± 7.0
	± 10.0

E-mail: info@warrenalloy.com
 Website: www.warrenalloy.com
 Local: (713) 672-9416
 Fax: (713) 672-8549

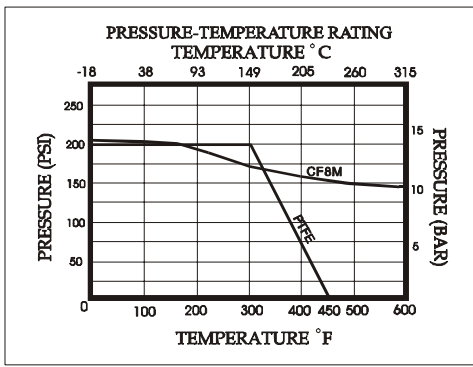
WARREN ALLOY
 5721 Harvey Wilson Drive
 Houston, Texas, 77020 USA
 (800) 231-6680



NPS	d	L	H	W	S	Weight (lb)	Cv
1/2"	0.63	2.24	3.86	2.44	48.1	1.15	19
3/4"	0.8	2.38	4.09	2.44	59.8	1.39	37
1"	1.02	2.64	4.53	2.91	74.5	1.79	64
1-1/4"	1.25	2.99	5.02	2.91	93.9	2.6	103
1-1/2"	1.57	3.43	6.77	3.74	107.4	4.41	143
2"	1.98	3.74	7.44	3.94	134.9	6.22	360
2-1/2"	2.44	4.57	10.24	-	-	10.14	-
3"	2.99	5.16	11.61	-	-	14.77	-

unit:in

ITEM	PARTS	MATERIAL
1	BODY	ASTM A351-CF8M
2	BONNET	
3	STEM	SS 316
4	DISC	
5	GLAND	ASTM A351-CF8M
6	GASKET	PTFE
7	PACKING	
8	WASHER	SS 304
9	GLAND NUT	ASTM A351-CF8M
10	HANDLE WHEEL	FC20
11	WASHER	SS 304
12	NUT	
13	C SNAP RING	SS 301



WARREN VALVE

CHECK BY	DRAWING BY	DATE	SPECIFICATION	Screwed End Gate Valve 200 WOG
	Julie	Nov.24.2008	MATERIAL	ASTM A351-CF8M
			PROCESS/Nr.	
			UNIT / SCALE	in

△			
△			
△			
Revise	Description	Date	Approve

DRAWING NO. **FIG #221 -08**